

# BOSS SD-1 Mods

## CUERVO MOD

Location	Mod value
c2	.047 uf
c3	.047 uf , for more bass, use .15 uf
c10	1 uf
c6	remove
d6	1n4001
d4	1n4001

## Sd-1 Mod 2

Location	Mod value
c2	.047 uf
c3	.1 uf , for more bass, use .15 uf
c6	remove
d6	LED
d4	1n4001
On/off light	Blue

## Sd-1 Fulldrive sound-alike\*

Location	Mod value
C2	.022 uf
C3	.1 uf
R6	2.2K resistor
C6	.022 uf
C10	1 uf film
D4	1n34a germanium And 1n4001 series
D5	1n4001
D6	1n34a germanium And 1n4001 series

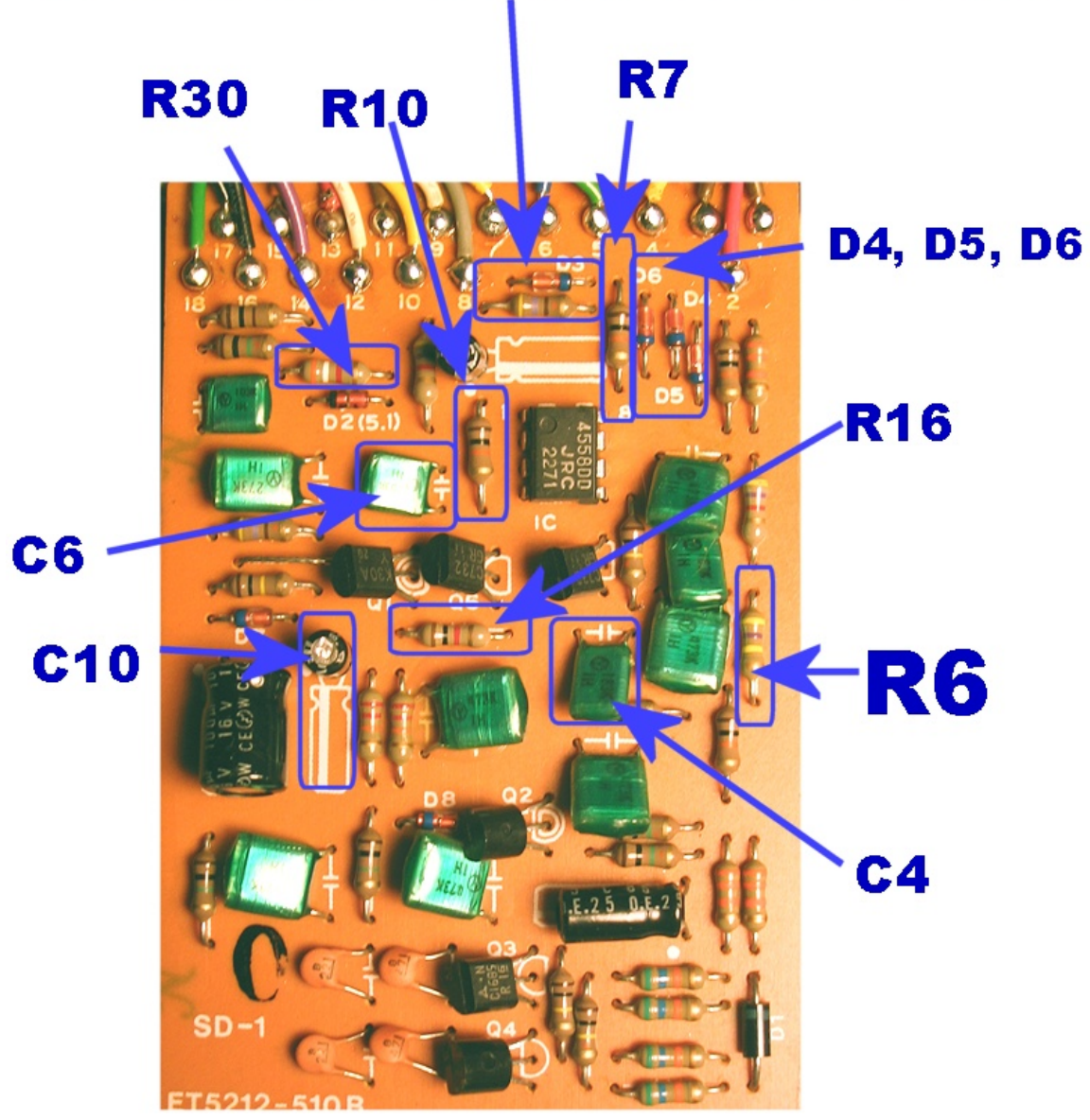
\* We are not affiliated in any way with Fulltone. This modification was designed to sound similar to the fulldrive and the name is only used for tonal reference.

## Sd-1 blues mod

Location	Mod value
C2	.1 uf
C3	.1 uf
C6	remove
C10	1 uf film
D4	1n34a germanium And 1n4001 in series
D5	1n4001
D6	1n4001 and led in series

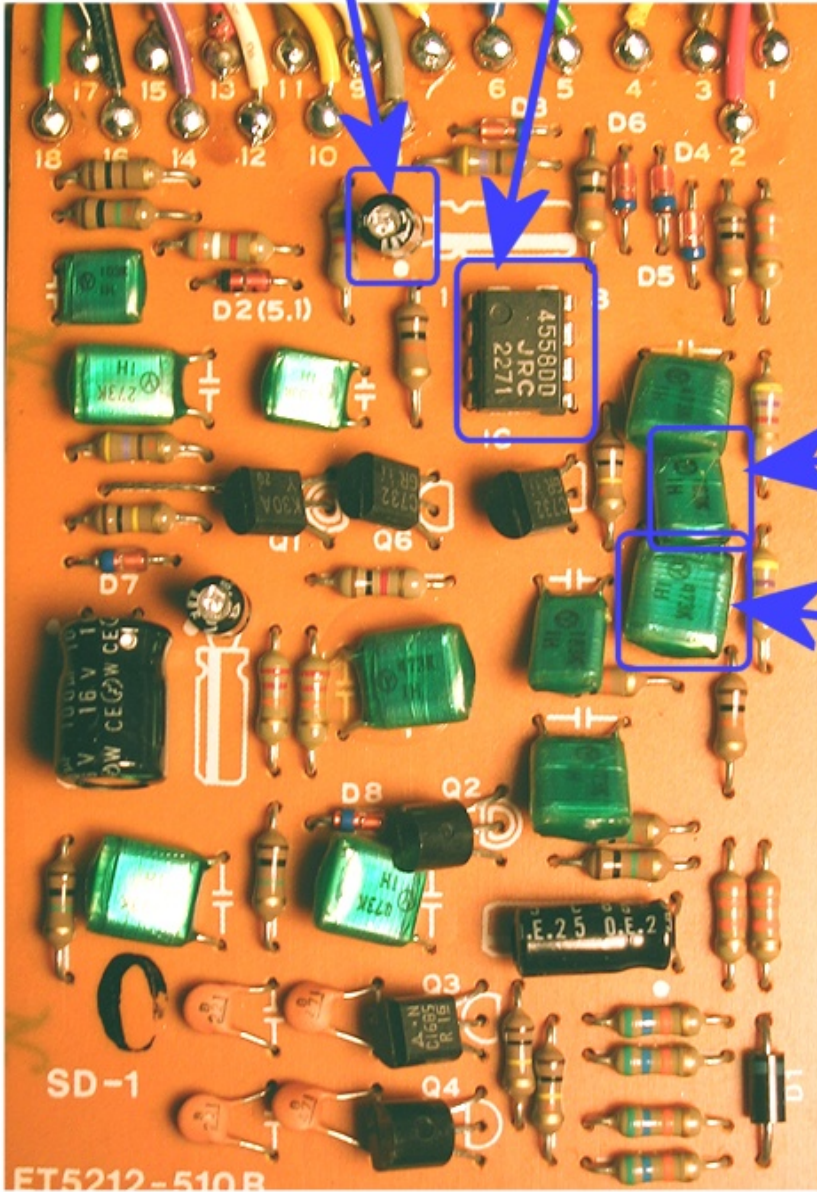
Sd-1 chocolate mod			Sd-1 tubescreamer on steroids mod																																								
<table border="1"> <thead> <tr> <th>Location</th> <th colspan="2">Mod value</th> </tr> </thead> <tbody> <tr> <td>C2</td> <td colspan="2">.1 uf</td> </tr> <tr> <td>C3</td> <td colspan="2">.1 uf</td> </tr> <tr> <td>C6</td> <td colspan="2">Remove – don't connect with a jumper, remove only. This eliminates a filter.</td> </tr> <tr> <td>D6</td> <td colspan="2">Germanium (1n34a)</td> </tr> <tr> <td>D5</td> <td colspan="2">1n4001</td> </tr> <tr> <td>D4</td> <td colspan="2">led</td> </tr> </tbody> </table>			Location	Mod value		C2	.1 uf		C3	.1 uf		C6	Remove – don't connect with a jumper, remove only. This eliminates a filter.		D6	Germanium (1n34a)		D5	1n4001		D4	led		<table border="1"> <thead> <tr> <th>Location</th> <th>Mod value</th> </tr> </thead> <tbody> <tr> <td>D6</td> <td>LED</td> </tr> <tr> <td>D4</td> <td>1n4001</td> </tr> <tr> <td>C12</td> <td>.1 uf</td> </tr> <tr> <td>C2</td> <td>.047uf</td> </tr> <tr> <td>C3</td> <td>.047uf</td> </tr> <tr> <td>C10</td> <td>1uf</td> </tr> <tr> <td>R16</td> <td>470 ohm</td> </tr> <tr> <td>C6</td> <td>Remove, don't jumper</td> </tr> </tbody> </table>		Location	Mod value	D6	LED	D4	1n4001	C12	.1 uf	C2	.047uf	C3	.047uf	C10	1uf	R16	470 ohm	C6	Remove, don't jumper
Location	Mod value																																										
C2	.1 uf																																										
C3	.1 uf																																										
C6	Remove – don't connect with a jumper, remove only. This eliminates a filter.																																										
D6	Germanium (1n34a)																																										
D5	1n4001																																										
D4	led																																										
Location	Mod value																																										
D6	LED																																										
D4	1n4001																																										
C12	.1 uf																																										
C2	.047uf																																										
C3	.047uf																																										
C10	1uf																																										
R16	470 ohm																																										
C6	Remove, don't jumper																																										
Sd-1 bass od mod			Sd-1 Mosfet Mod																																								
<table border="1"> <thead> <tr> <th>Location</th> <th>Mod value</th> <th>What it affects</th> </tr> </thead> <tbody> <tr> <td>C3</td> <td>Jumper with wire</td> <td>Allows bass to come through</td> </tr> <tr> <td>R10</td> <td>Jumper with wire</td> <td>Allows bass to come through</td> </tr> <tr> <td>D6</td> <td>200 pf</td> <td>Will smooth out distortion</td> </tr> <tr> <td>c6</td> <td>remove</td> <td></td> </tr> </tbody> </table>			Location	Mod value	What it affects	C3	Jumper with wire	Allows bass to come through	R10	Jumper with wire	Allows bass to come through	D6	200 pf	Will smooth out distortion	c6	remove		<table border="1"> <thead> <tr> <th>Location</th> <th>Mod value</th> </tr> </thead> <tbody> <tr> <td>C2</td> <td>.22 UF CAP</td> </tr> <tr> <td>C3</td> <td>.33 UF CAP (I USE A .22 AND A .1 UF CONNECTED IN PARALLEL)</td> </tr> <tr> <td>R6</td> <td>2.2K resistor</td> </tr> <tr> <td>C6</td> <td>REMOVE (DON'T JUMPER OR CONNECT ANYTHING, JUST REMOVE)</td> </tr> <tr> <td>C10</td> <td>1 uf film CAP</td> </tr> <tr> <td>D4</td> <td>MPF102 <del>TRANSISTOR</del></td> </tr> <tr> <td>D5</td> <td>1N34A +1N34A (1N34A <del>GERMANIUM</del></td> </tr> <tr> <td>D6</td> <td>MPF102 <del>TRANSISTOR</del></td> </tr> </tbody> </table>		Location	Mod value	C2	.22 UF CAP	C3	.33 UF CAP (I USE A .22 AND A .1 UF CONNECTED IN PARALLEL)	R6	2.2K resistor	C6	REMOVE (DON'T JUMPER OR CONNECT ANYTHING, JUST REMOVE)	C10	1 uf film CAP	D4	MPF102 <del>TRANSISTOR</del>	D5	1N34A +1N34A (1N34A <del>GERMANIUM</del>	D6	MPF102 <del>TRANSISTOR</del>						
Location	Mod value	What it affects																																									
C3	Jumper with wire	Allows bass to come through																																									
R10	Jumper with wire	Allows bass to come through																																									
D6	200 pf	Will smooth out distortion																																									
c6	remove																																										
Location	Mod value																																										
C2	.22 UF CAP																																										
C3	.33 UF CAP (I USE A .22 AND A .1 UF CONNECTED IN PARALLEL)																																										
R6	2.2K resistor																																										
C6	REMOVE (DON'T JUMPER OR CONNECT ANYTHING, JUST REMOVE)																																										
C10	1 uf film CAP																																										
D4	MPF102 <del>TRANSISTOR</del>																																										
D5	1N34A +1N34A (1N34A <del>GERMANIUM</del>																																										
D6	MPF102 <del>TRANSISTOR</del>																																										

# JUMPER BOTH THE RESISTOR AND DIODE



# IC CHIP (OP AMP)

**C7**

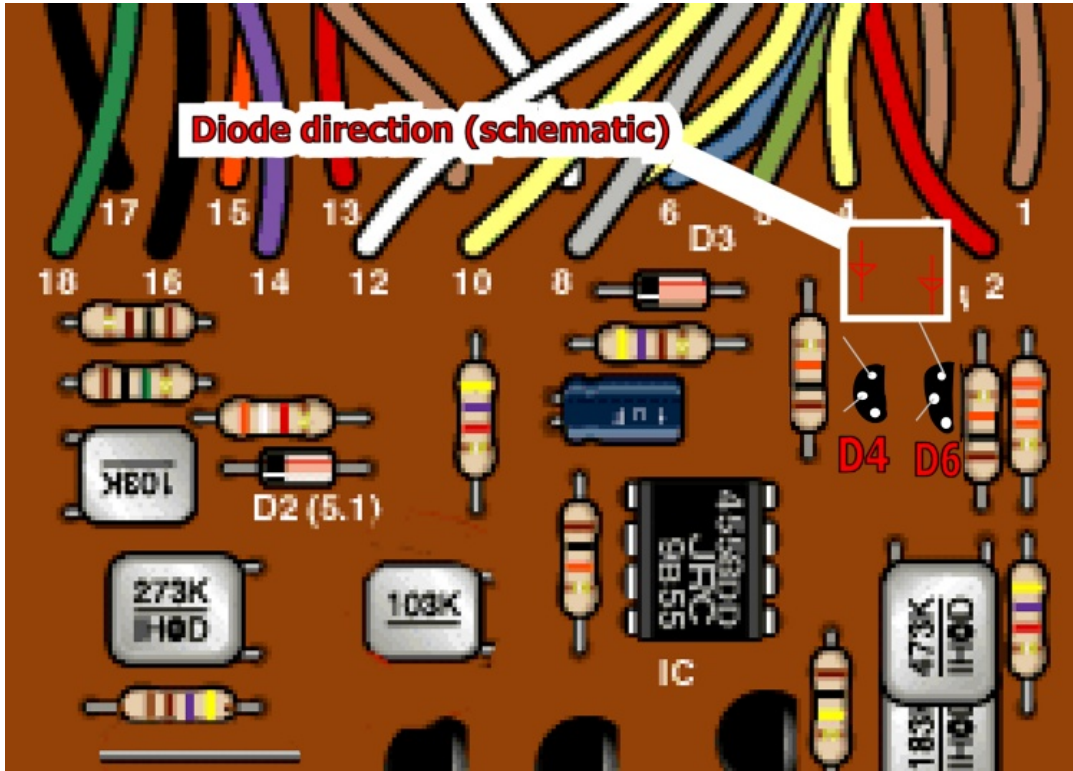


**C2**

**C3**

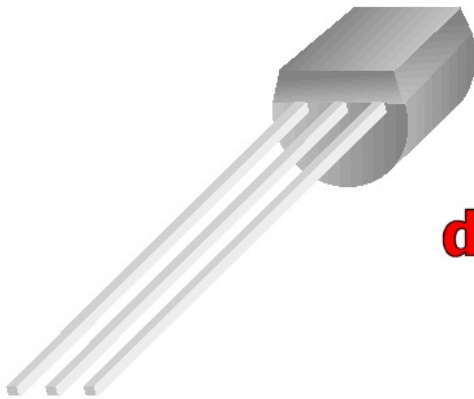
SD-1

ET5212-510B



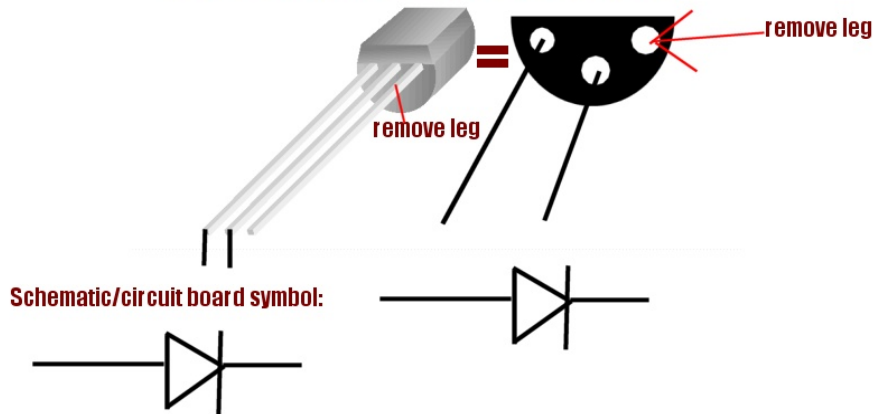
Note: These images show you how to connect the transistors for the mosfet mod -- there are 3 legs on them, and only one of the legs are used. I simply cut and remove the unused leg.

## Transistors



**diy kit diagram**

## MPF-102 TRANSISTOR USED AS DIODE



Miscellaneous Notes:

optional: c4...raise value to remove mids. recommended value: .22uf

